

Virtualization time is now.

Boris Quiroz Q.
boris[at]insert-coin.org
<http://boris.insert-coin.org>



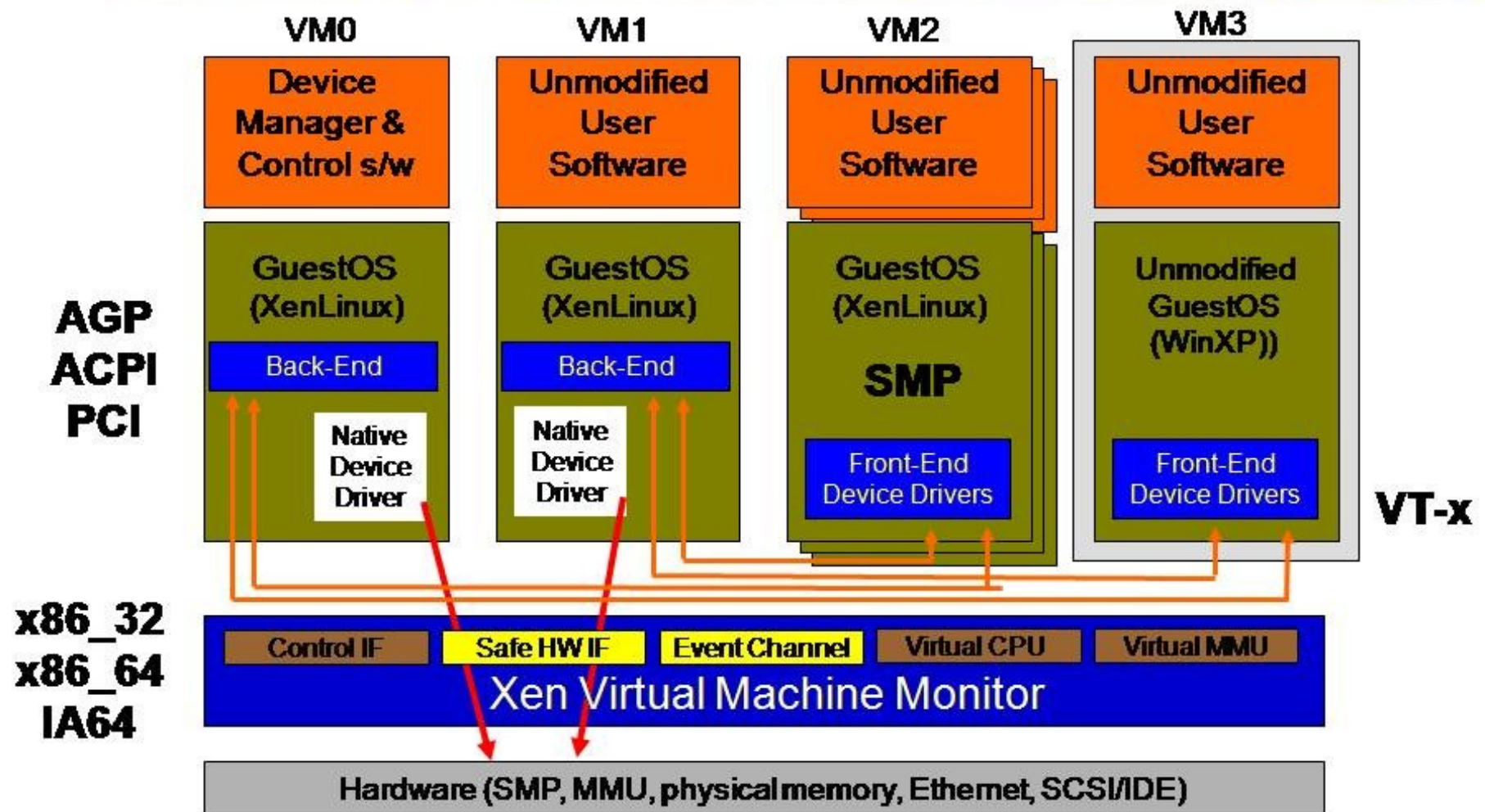
Introduction

- Why virtualize?
 - Servers consolidation.
 - Rapid deployment and provisioning.
- A server uses approximately 40% of its total capacity compute
 - Virtualize allows you to use almost 80% of the capacity of the machine.
- Increase performance.

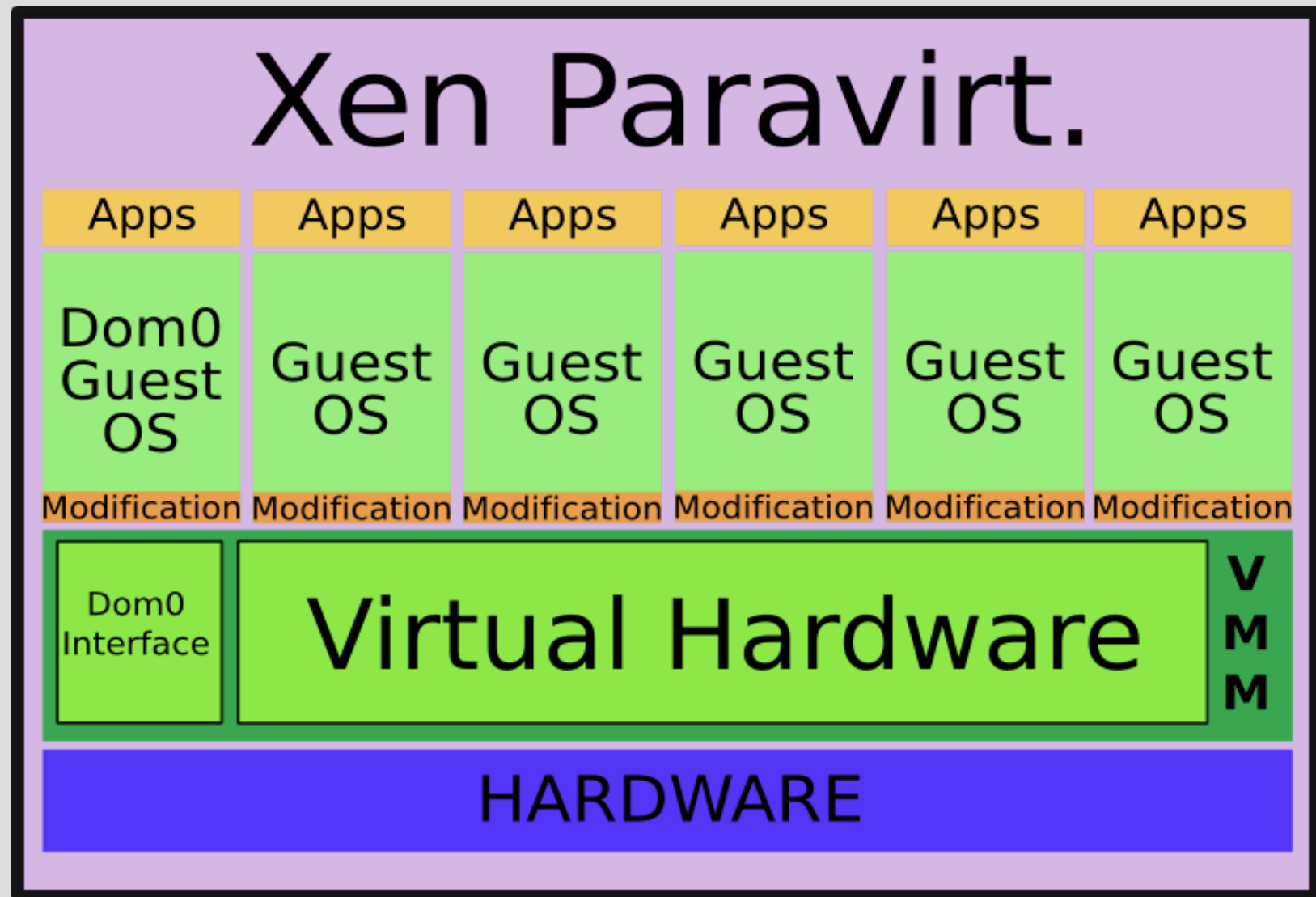
Xen: Background

- Paravirtualization:
 - High performance.
- Full virtualization:
 - Require VT hardware support.
 - Intel and AMD available.
- Advantage:
 - Open Source.

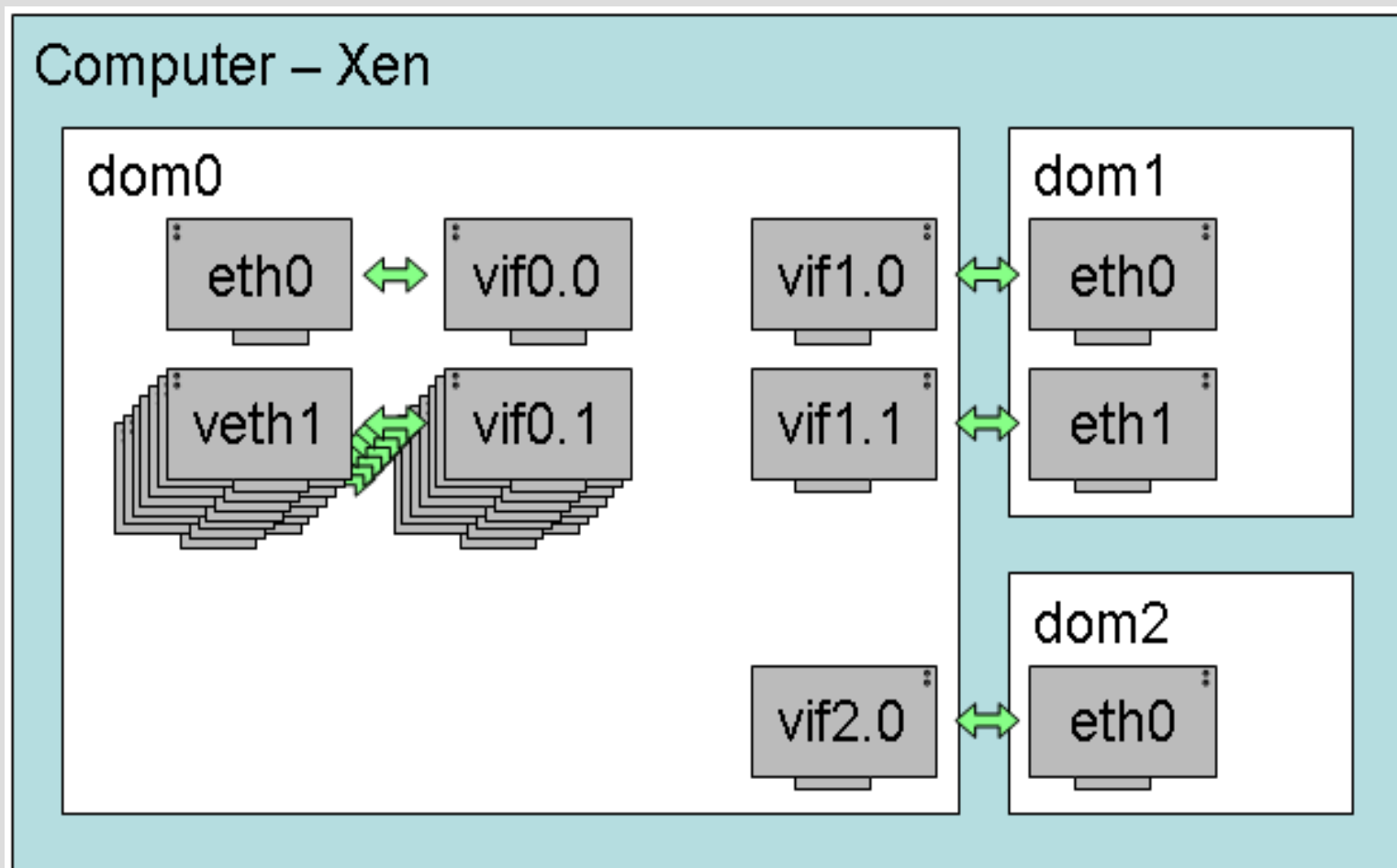
Xen 3.0 Architecture



Xen: Paravirtualization



Xen: Networking



Links

- Xen hypervisor: <http://www.xen.org/>
- Xen community projects:
<http://www.xen.org/community/projects.html>
- “Running Xen” book: <http://runningxen.com/>
- Xen wiki: <http://wiki.xensource.com/xenwiki/>
- Mailing lists: <http://lists.xensource.com/>
- Xen blog: <http://blog.xen.org>

Questions?

Boris Quiroz Q.
boris[at]insert-coin.org
<http://boris.insert-coin.org>
CC-BY-NC-SA/CL/2.0